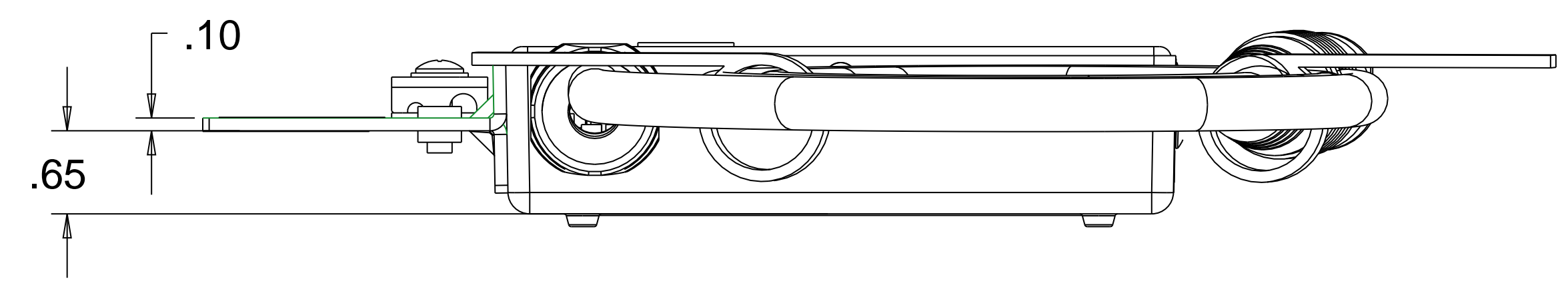
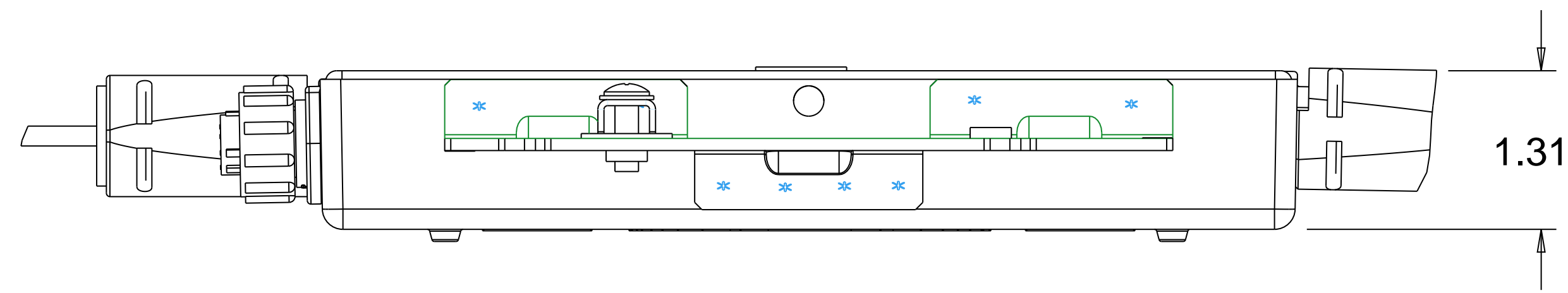
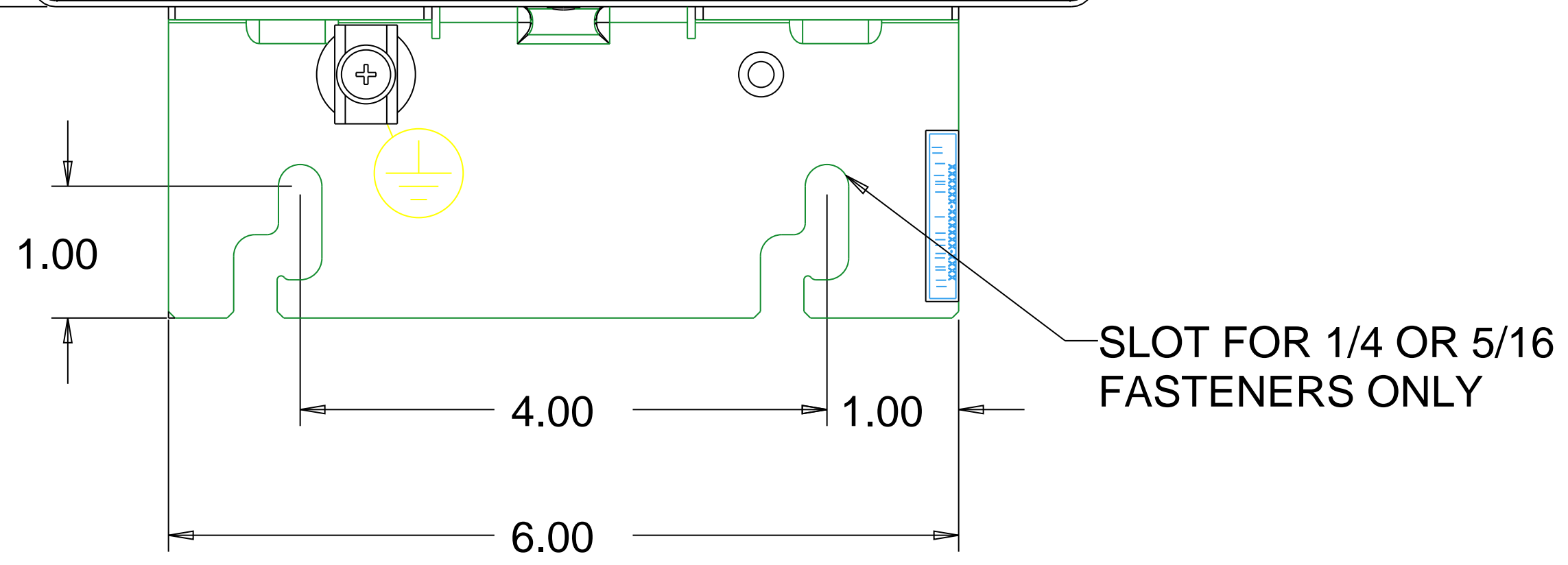
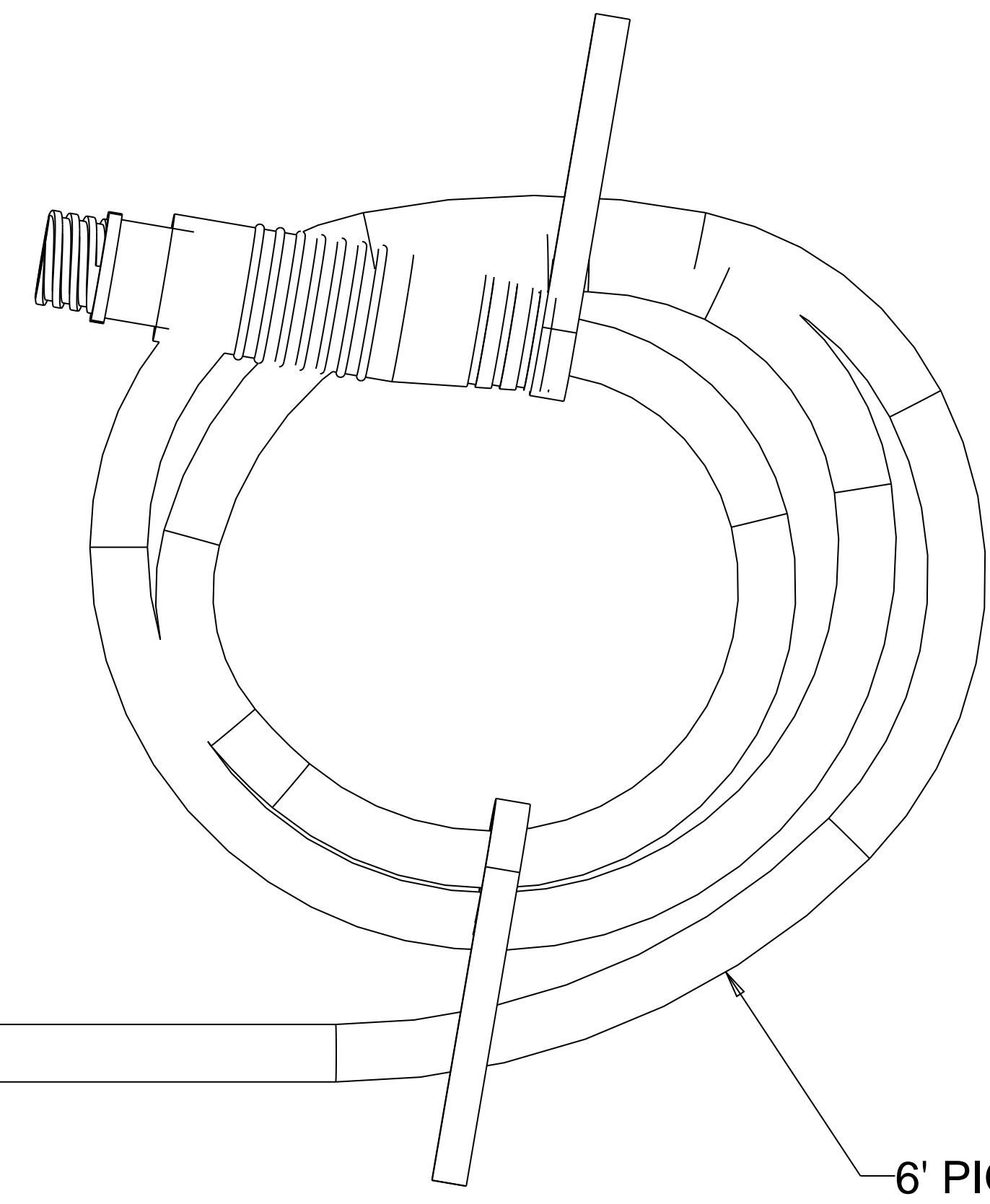
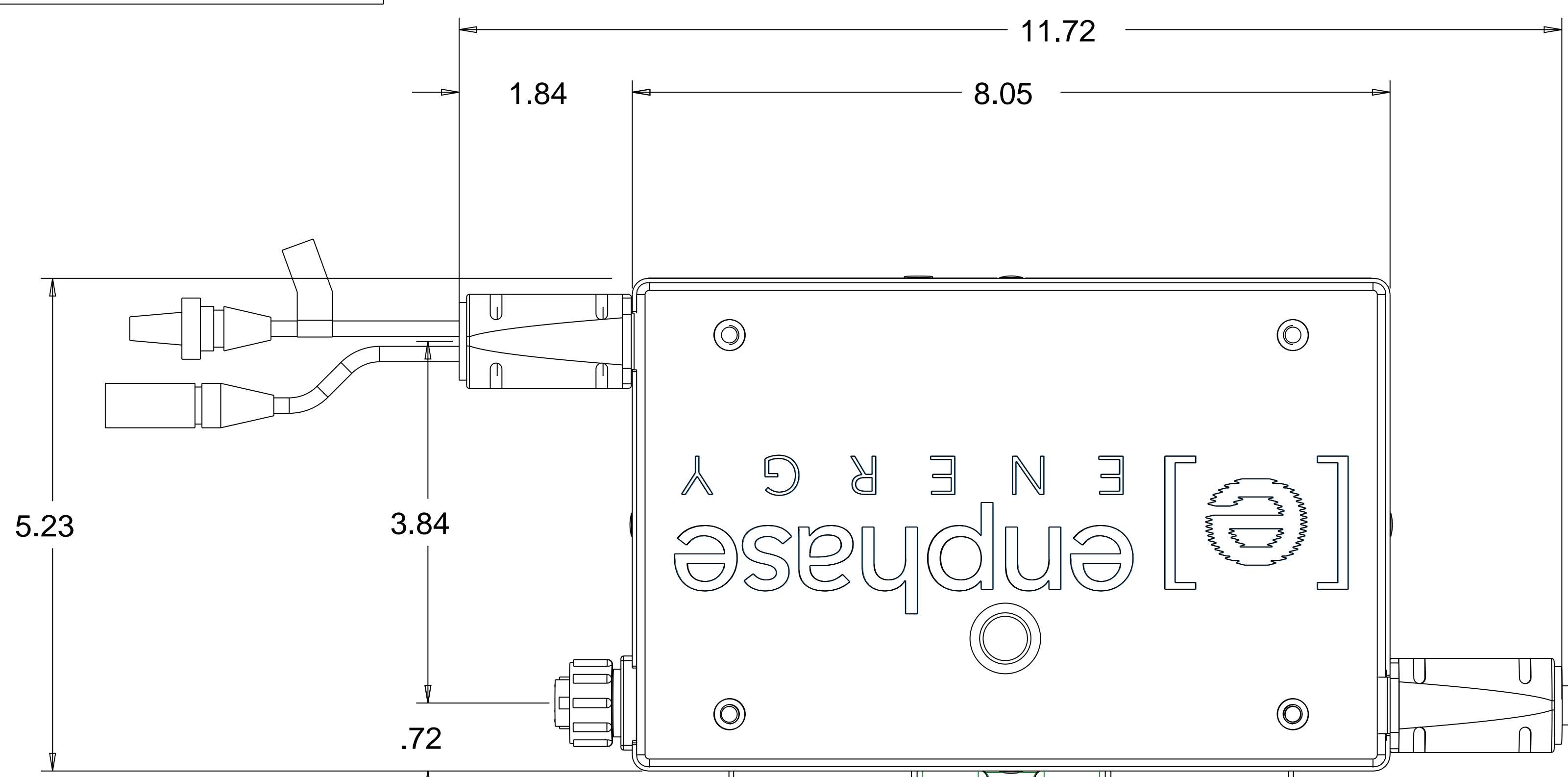


The information contained in this document is the proprietary and confidential information of ENPHASE ENERGY, Inc.. You will not provide, make available or disclose (or use for any purpose other than that contemplated by this document) any such information to any other party without the express, written consent of ENPHASE ENERGY, Inc.

DWG NO.	940-00027	REV	01	1
REVISIONS				
REV	DESCRIPTION	CHKD	DATE	
01	INITIAL RELEASE	MKM	03/06/09	

D  
C  
B  
A

D  
C  
B  
A



QTY	PART NUMBER	VENDOR	DESCRIPTION	ITEM
-----	-------------	--------	-------------	------

PARTS LIST

TOLERANCES: UNLESS OTHERWISE SPECIFIED .X = ± .1 .XX = ± .03 .XXX = ± .015 FRACTIONS = ±1/32" ANGLES = ±2" ALL DIMENSIONS ARE IN INCHES 3RD ANGLE PROJECTION	MATERIAL: - - - FINISH: - -	APPROVALS	DATE	201 FIRST ST SUITE 300 PETALUMA, CA 94952 (707) 763-4784	
		DRN BY M.MEEKER	06-Mar-09		DOCUMENT, REFERENCE OUTLINE, M190-xx-xxx-SX RAPTOR
		ENGR M.MEEKER	06-Mar-09		
		MFG			
DO NOT SCALE DRAWING			SCALE FULL	DWG NO. 940-00027 REV 01 SHEET 1 OF 1	

8 7 6 5 4 3 2 1